

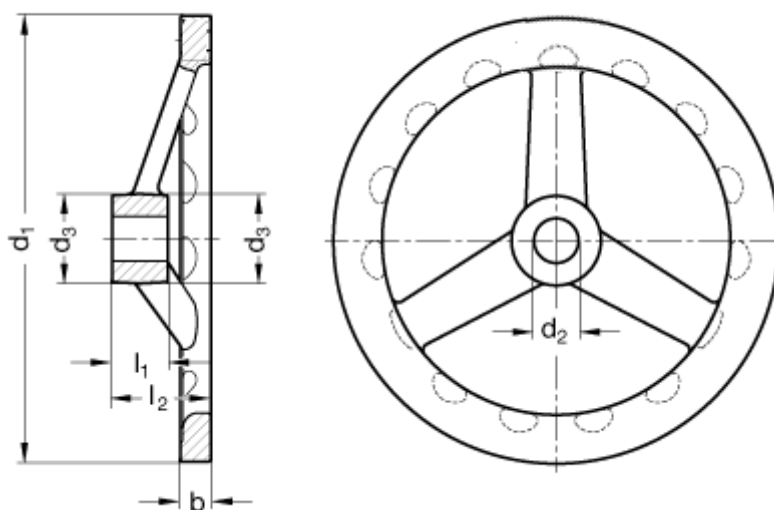
# Data Sheet



Article number: 201056281

Description: E+G Handwheel  
GN 949-100-K12-A

## Measures



A/F = 9

b = 7

d1 = 100

d2 = 12

d3 = 20

l1 = 15

l2 = 27,5

l3 = 45

Number of spokes = 3